



SALES SERVICE HOTLINE  
400-887-7668





**FORTHING**  
**RUNNING FOR FUTURE**

---

# CONTENT

---

01

## T5 EVO

Pioneer of trendy SUV  
defining high aesthetic cars

01-14

02

## FRIDAY

Pure electric technology leads  
the way with unstopable style

15-32

03

## U-TOUR

A magnificent journey  
creating a brand new family car

33-50

04

## V9

Chinese style exquisite design  
showcasing high-end atmosphere

51-60

05

## S7

Taking inspiration from the vast Milky Way  
let the meteor streak through the sky

61-70

06

## OTHER MODELS

A magnificent journey  
creating a brand new family car

71-82

## DRIVE THE FORTHING

We are brave, unwilling to be ordinary, and we don't want to be old-fashioned. We are the ruler of roads. We will keep trying, we will make a remarkable achievement for the world at the right time. We produce every popular work with advanced technology, wonderful art and powerful energy! We are true performers to take every step.

Forthing is born with extraordinary charm, and it highlights our passion for performance and our company's concepts. Forthing will excite your every sense when you driving with such an excellent engine. People pursue precious moments in life, and we pursue precious moments in our products. Forthing's true performance will give you true feelings at every moment of driving.



# 1954 70 2024

## DEVELOPMENT HISTORY OF FORTHING IN THE PAST 70 YEARS

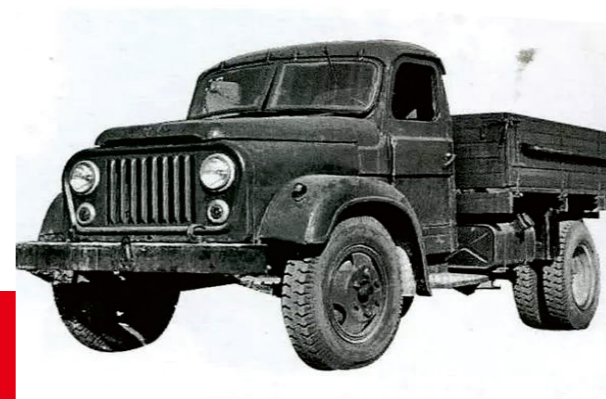
The company was founded in 1954 and entered the automotive production field in 1969. It is one of the earliest enterprises in China to engage in automotive production. At present, it has more than 7,000 employees, and covers an area of 880,000 square meters. It has formed a production capacity of 300,000 passenger cars and 80,000 commercial vehicles per year, and has independent brands: passenger vehicle "Forthing", commercial vehicle "CHENGLONG"

Dongfeng Liuzhou Motor Co., Ltd. is the first automobile production enterprise in Guangxi, the first medium-sized diesel truck production enterprise in China, the first independent brand family vehicle production enterprise of Dongfeng Group, and the first batch of "National Vehicle Export Base Enterprises" in China.



**1954** Dongfeng Liuzhou Motor Co., Ltd. was formerly known as Liuzhou Agricultural Machinery Factory (referred to as LiuNong), founded on October 6, 1954. In early 1956, the Guangxi Provincial Government decided to invest 1.3 million to acquire 138.902 acres of land in Butterfly Ridge to build a new LiuNong factory. In November, LiuNong began trial production of water turbine pumps according to the arrangement of the Guangxi Department of Industry.

**1969** The Guangxi Revolutionary Committee held a production meeting and proposed that Guangxi should produce automobiles. On April 2, 1969, LiuNong successfully produced the first car, and by September, a small batch of 10 cars were produced as a tribute to the 20th anniversary of National Day.



**1973** With the approval of the higher authorities, Liuzhou Auto Plant in Guangxi Zhuang Autonomous Region has been formally established. From 1969 to 1980, company produced a total of 7089 Liujiang brand 130 type cars and 420 Guangxi brand 140 type cars. Liuzhou Motor entered the ranks of national auto manufacturers.

**1981** With the approval of the National Machinery Industry Commission, Liuzhou Motor was one of the first companies to participate in the Dongfeng Motor Industry Joint Venture, achieving the transformation from "Liujiang" and "Guangxi" brand cars to "Dongfeng" brand cars.



**1983** DFLM was transferred to China Automotive Industry Corporation and managed by Dongfeng Motor Group, becoming a closely affiliated factory of Second Auto Group. On December 9th, it was renamed as "Dongfeng Motor Industry Joint Venture Liuzhou Motor Factory".

**1997** According to national requirements, Liuzhou Motor Factory will be restructured into a limited liability company with a 75% stake in Dongfeng Motor Company and a 25% stake in Liuzhou State owned Assets Management Company, the investment entity entrusted by Guangxi Zhuang Autonomous Region.





2001

Launched Forthing Lingzhi for the public business market, becoming the first Chinese manufacturer of independent MPVs.



2006

DFLM started two engineering strategies and developed strategic transformation products: Balong 507 and Joyear large two-box products. Dongfeng Liuzhou Motor successfully passed the evaluation of "Safety and Quality Standardization National Level Enterprise".



2010

Dongfeng Liuzhou Motor's sales revenue exceeded 10 billion yuan in 2010, and its production and sales exceeded 100000 vehicles for the first time. The first large-sized city commuting sedan, the Joyear XL, was launched. In December, the monthly sales of the Joyear XL exceeded 6500 units.



2012

During the Guangzhou Auto Show, DongFeng FORTHING brought the all-new Lingzhi M5, which has undergone corresponding adjustments in appearance and interior to cater to a younger new business audience.



2014

The Joyear X3 is a strategic SUV model launched by FORTHING for young people buyers, and is the "first enlarged city SUV" in China. In August, FORTHING's first compact three-box family sedan, the Joyear S50 was launched. Positioned as a "high-quality and superior family sedan," the Joyear S50 opened a new chapter in the family sedan market.



2016

The Forthing SX6, a 7-seater SUV with a larger size, has been launched nationwide. It is the only 7-seater SUV in its class that can comfortably accommodate 3 people in the third row, and is a practical king that meets all the needs of daily life scenarios.

2003

On July 18, 2003, the launch ceremony of Dongfeng Baolong Heavy Truck was grandly held at the commercial vehicle assembly line site.

2007

The launch of FORTHING JOYEAR sounded the horn for Dongfeng to enter the Chinese car market. FORTHING Lingzhi won the championship of the fuel saving competition, becoming a new benchmark for fuel saving products in the MPV industry.

2011

The first phase of the new base project is expected to be completed in the first half of 2014, and once put into operation, it will reach an annual production capacity of 200000 passenger cars. The construction of the new base marks a further improvement in the production and manufacturing level of DFLZ passenger cars, entering the ranks of first-class Chinese level.

2013

The first "enlarged city SUV" in China, the Joyear X5, was officially launched at the Chengdu Auto Show, with orders exceeding 7000 units in the first month of launch, achieving great success in the compact SUV market.

2015

At the 16th Shanghai Auto Show, Dongfeng Forthing officially launched its new model, the Joyear XV, at the 16th Shanghai Auto Show.

2018

On September 16th, the "Intelligent Social SUV" - Forthing T5 held a press conference in Shenzhen. Forthing Motor officially entered the era of intelligent connectivity.





**2019** As a mid to large-sized SUV specially designed for family gatherings and travel, T5 can meet the basic needs of consumers for spacious and convenient driving spaces, as well as their mid-level needs for interesting travel experiences.

**2020** Forthing New · Lingzhi M5 launched. The innovative breakthrough lightning shaped face design brings a refined and atmospheric business appearance; Flexible and versatile large space to meet the needs of all business scenarios.



**2021** The nationwide launch event of the Forthing T5 EVO has ignited at the Kale Planet Amusement Park in Liuzhou. The T5 EVO has gained momentum and become the "preferred fashionable vehicle for young people" with its hard power and high appearance. With a luxurious and people-oriented design concept from the inside out, it creates a new future for the new generation.

**2022** This press conference mainly presents a sense of technology, further strengthening the technological intelligence attributes and new energy labels of Forthing Friday.



**2022** Forthing U-TOUR launches a high-quality beach camping launch event by creating a "family beach camping" scene, conveying to the public the most suitable family car for Chinese families,ng travel experiences.

**2023** On September 4th, four overseas new energy vehicle models of Forthing made their debut at the Munich Auto Show in Germany. They were broadcast live to more than 200 countries around the world, with exposure exceeding 100 million times. China's new energy technology strength is witnessed by the world.



FORTHING

# 70TH

TO BE CONTINUED



FORTHING

“

It rides the world with super power and reconstructs the imagination with intelligent technology. The streamlined body breaks the wind, and the panoramic sunroof takes in the stars.

”

# T5 EVO

## VEHICLE INTRODUCTION

01

## STYLING DESIGN

FORTHING EVERYWHERE  
FOR EVERYTHING AND FUTURE

## ULTRA HIGH APPEARANCE VALUE

Pioneer of trendy SUVs, defining high aesthetic cars

The front part of the new generation FORTHING T5 EVO has become more striking, and some protruding lines have been added to the engine hood, which looks quite strong. The split type headlights on both sides have a sharp shape, and when the two-stage split type headlights are lit up, they appear very spirited. From a side view, the new car features a waistline design, with lines continuously rising from the front to the side of the car, creating a sense of readiness.





## BEAST BIOMIMETIC FRONT FACE

Matched with a fang style front grille, standing in front of the car, exudes a youthful and wild sense of power and aggression. Full of heat and color, fully showcasing the proud charm.



## LED FLOWING HEADLIGHTS

Energy saving but not reducing performance, paired with a sword eyebrow and blade light group, it is crystal clear and eye-catching, giving you 1080P high-definition night picture quality.



## DIVE TYPE TAIL WING

Paired with a diving style tail wing and four exhausts pipes for thunderous sound, you can shake off the constraints of the wind and unleash your passion.



02

## STRONG POWER

FORTHING EVERYWHERE  
FOR EVERYTHING AND FUTURE

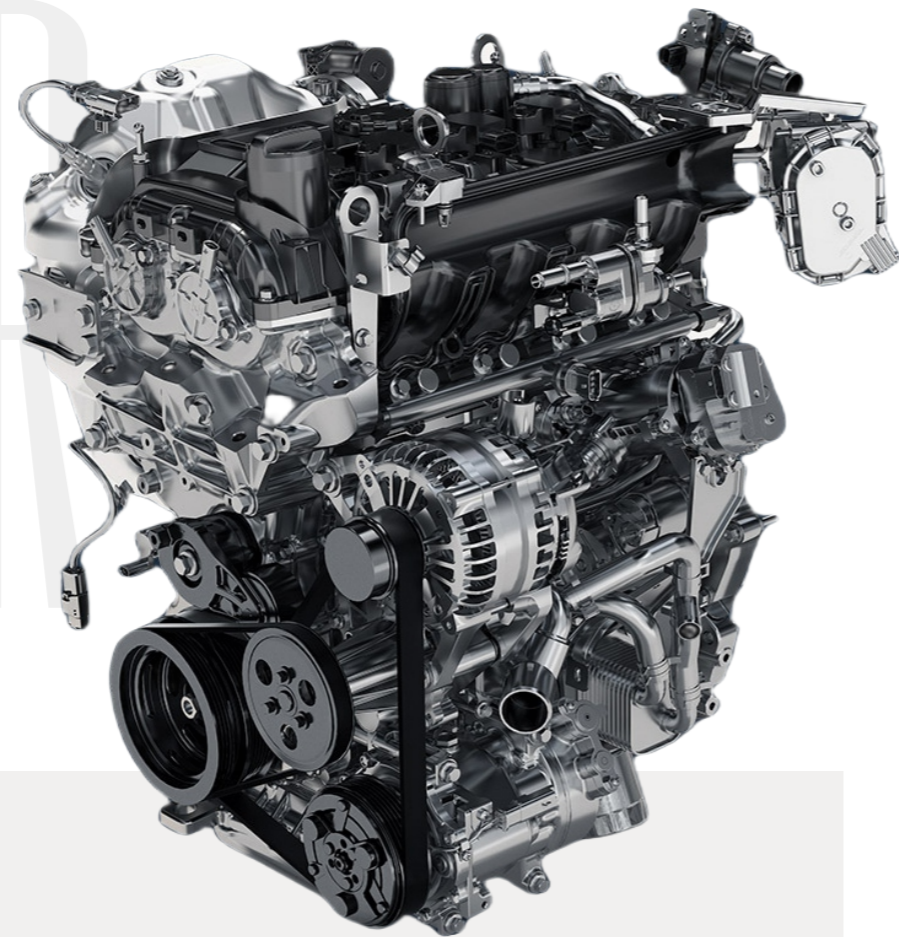
## FULL OF POWER

The golden power combination surpasses its peers in performance

The FORTHING T5 EVO adopts a 1.5T engine with a maximum 197 horsepower and a peak torque of 300N·m, matched with a wet dual clutch transmission(DCT). The overall power parameters have excellent power performance, which can provide better power performance.

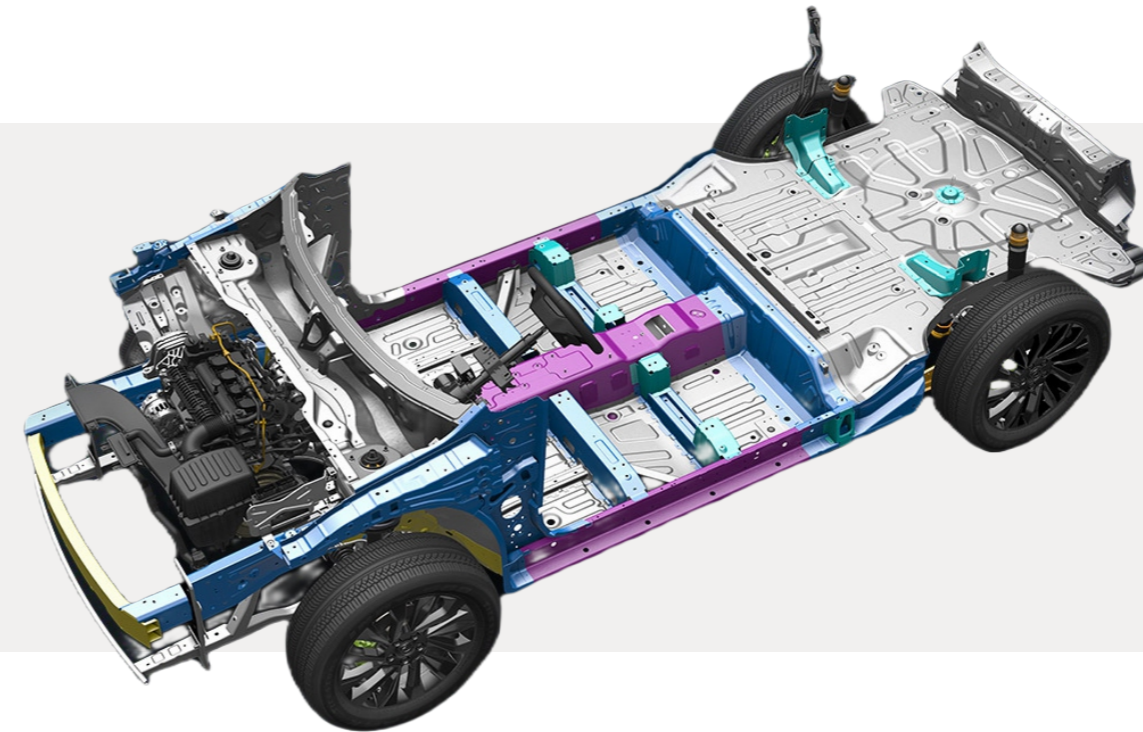


# POWER



## SUPER TOP 10 POWER

The Magna 7-speed wet dual clutch transmission, one of the top 10 transmissions in the world, works perfectly with the Mitsubishi 1.5TD high-performance engine. The engine has a maximum power of 197 HP (145KW) and a fuel consumption of only 6.6L per 100 kilometers. Fuel consumption and power are no longer compromised, reaching the level of luxury cars.



## COMFORTABLE DRIVING EXPERIENCE

The Super Cube EMA chassis platform, combined with front MacPherson and rear multi link independent suspension, perfectly balances comfort and handling, surpassing the benchmark of German SUVs in the 300000 yuan class, bringing first-class driving pleasure.



## FULL SPEED DOMAIN L2+LEVEL INTELLIGENT ADAS SYSTEM

Equipped with MOBILEYE's top-level visual perception chip and 17 sensors for all-round blind spot monitoring, allowing you to move forward fearlessly all the way.

# 03

## INTERIOR DESIGN

FORTHING EVERYWHERE  
FOR EVERYTHING AND FUTURE

## PEOPLE ORIENTED

Exquisite details create a sensory feast

If the exterior has already captured your heart, then the interior keeps you focused. The overall design and appearance of the car complement each other very well, and the styling also gives a refreshing feeling. The through type center console of the FORTHING T5 EVO is wrapped in a large area of leather, with elegant materials and workmanship. It is also equipped with a 10.25 to 12.25-inch LCD screen, which displays clearly and has a relatively young design.





## ECO-FRIENDLY COCKPIT

Strictly control the harm of harmful substances and create a healthy cabin environment for you at the level of a million luxury car. The red leather seats provide passengers with just the right amount of support and a soft and comfortable touch.



## LUXURY CAR LEVEL COMFORTABLE SPACE

The total length of the vehicle is 4595mm, with a body width of 1860mm and a wheelbase of 2715mm; The interior space is spacious, with ideal height and width, and the legroom in the rear seats is spacious.



## BREATHING CAR AMBIENT LIGHTING

Flexibly adjust the ambient lighting according to different scenes and moods to add more colors to your driving journey.

Item	Luxury	Exclusive
<b>Dimension</b>		
Length*Width*Height(mm)	4565×1860×1690	
Wheelbase(mm)	2715	
Seats	5	
<b>Engine</b>		
Engine Brand	Mitsubishi	
Engine Model	4A95TD	
Displacement (L)	1.5	
Air Intake Type	T&I	
Rated Power (kW)	145	
Rated Power Speed (RPM)	5600	
Max Torque (N·m)	285	
Max Torque Speed (RPM)	1500~4000	
Fuel Type	Gasoline	
Fuel Grade	No. 92 and above	
Fuel Supply Method	Direct injection	
Fuel Tank Capacity (L)	55	
<b>Transmission</b>		
Transmission Type	DCT	
Number of Gear	7	
<b>Chassis</b>		
Front Suspension Type	McPherson Type Independent Suspension + Lateral Stabilizer Bar	
Rear Suspension Type	Multi-link Type Independent Suspension	
steering Transmission Linkage	Electric Steering	
Front Wheel Brake	Ventilation Disc	
Rear Wheel Brake	Disc	
Parking Brake Type	Electronic Parking	
Tyre Size	235/55 R19	
<b>Maneuverability</b>		
Steering Wheel Material	Real Leather	
Multi-functional Steering Wheel	•	
Steering Wheel Up/Down Adjustment	•	
Steering Wheel Front/Rear Adjustment	•	
<b>L2 Driver Assistance</b>		
Forward Collision Warning (FCW)	×	•
Lane Departure Warning (LDW)	×	•

Item	Luxury	Exclusive
<b>Convenient</b>		
Keyless Entry System		•
Electric Adjustment of Rearview Mirrors		•
Heating of Rearview Mirrors		•
Anti-glare Interior Mirrors		•
Window Anti-pinch Function		•
One-touch Window Up/Down		•
Mobile Phone Charging Interface		•
Power Tailgate	×	•
<b>Convenience</b>		
Automatic Lighting		•
LED Daytime Running Lamp		•
Headlight Delay-off Function		•
Headlight Height Adjustable		•
Automatic Trunk Light		•
<b>Seat</b>		
Driver Seat Adjustment	Manual 6-way Adjustment	Electric 10-way Adjustment
Driver Seat Power Seat Memory	×	•
Driver Seat Ventilation	×	•
Driver Seat Heating	×	•
Driver Seat Massage	×	•
Passenger Seat Adjustment	Manual 4-way Adjustment	Electric 4-way Adjustment
Passenger Seat Ventilation	×	•
Passenger Seat Heating	×	•
Passenger Seat Massage	×	•





01

## STYLING DESIGN

FORTHING EVERYWHERE  
FOR EVERYTHING AND FUTURE

## MINIMALIST TECHNOLOGY

Pure electric technology leads the way, achieving full recognition

As a family car, although its appearance doesn't need to be too luxurious, it definitely needs to be grand, fashionable, and personalized. Forthing Friday adopts a minimalist style, with a borderless front face paired with a hexagonal honeycomb array layout grille, showcasing a more minimalist and fashionable visual effect. The smooth body lines outline the dynamic, delicate and modern appearance.





## DIMENSIONAL MECH STYLE APPEARANCE

---

Led by the design concept of mech style, the Forthing Friday expresses the charm of science fiction. The streamlined body lines, like the thunder and lightning of nature, cut through the sky, displaying extraordinary speed and passion.



### THOR'S AXE LED HEADLIGHTS

---

Forthing Friday adopts the split type headlights. The light is evenly distributed and penetrates deeply, allowing for a calm and effortless journey even in the face of harsh weather.



### LARGE 19-INCH WHEELS

---

The 19-inch wheel is the perfect embodiment of the pursuit of speed. Its elegant wheel shape design blends modern aesthetics with classic elements, showcasing the vehicle's nobility and style.



02

## STRONG POWER

FORTHING EVERYWHERE  
FOR EVERYTHING AND FUTURE

## EXTRAORDINARY POWER

Drive to the land of longing, and only with online power can you enjoy unlimited fun along the way

The pure electric vehicle model has a natural advantage in power performance, and FORTHING FRIDAY has fully utilized this advantage. Due to the use of electric motor drive, the starting and acceleration of Forthing Friday are smoother and linear, providing drivers with a more comfortable and stable driving experience.

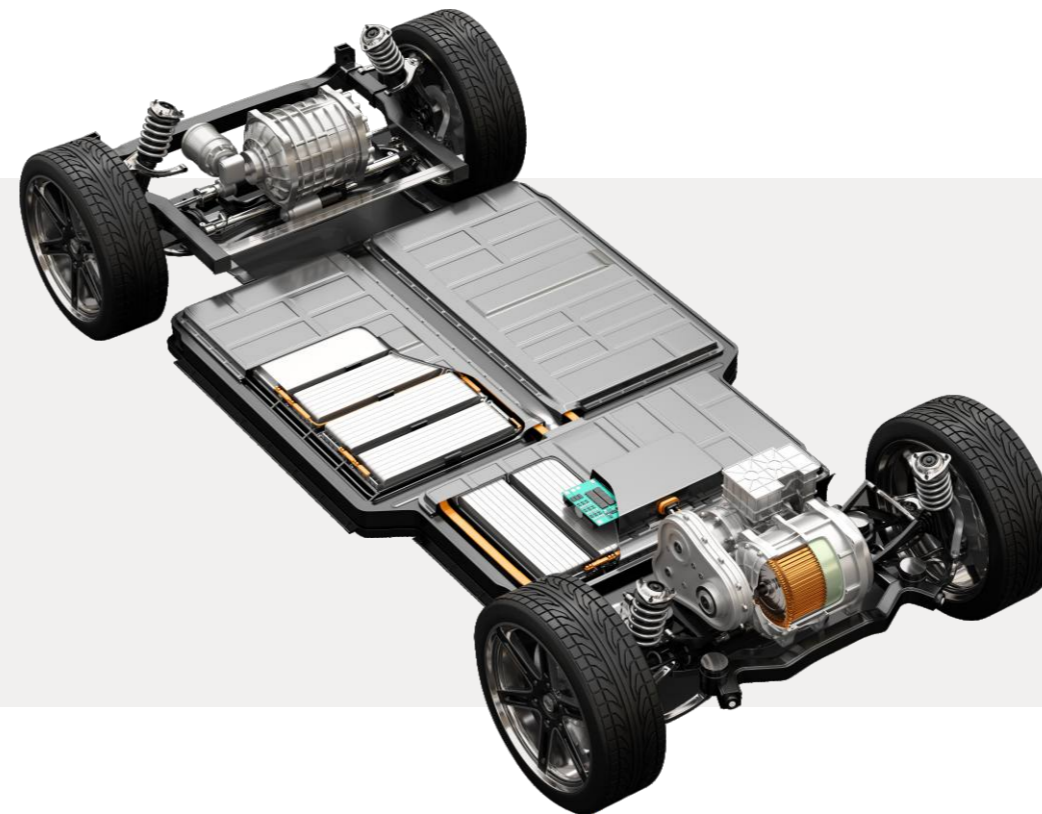


# BATTERY



## ARMORED BATTERY

The name armored battery aptly describes its powerful safety protection capability. It adopts unique four-dimensional ultra-high protection shield technology, providing strong protection for the battery from the battery cell, module, whole package to the entire vehicle in all aspects. These four layers of protection ensure the stability and safety of the battery in various extreme environments.



## SUPER LONG RANGE

Forthing Friday has brought high-capacity armored batteries with its leading technology. In terms of specific data performance, the FORTHING FRIDAY Armor Battery has a battery capacity of 64.4kWh. It can achieve a comprehensive range of 500km on a single charge for CLTC.



## HUAWEI HEAT PUMP 2.0

The Forthing Friday is equipped with Huawei Heat Pump 2.0 thermal management system, which realizes integrated thermal management of air conditioning, electric drive, battery cooling and heating, and increases battery life by 16% in low-temperature environments.



## INTELLIGENT DRIVING SYSTEM

The Forthing Friday is equipped with 12 L2+level auxiliary driving functions, including adaptive cruise control (ACC), lane departure warning (LDW), etc. The system's control logic and sensitivity performance are excellent.

03

## INTERIOR DESIGN

FORTHING EVERYWHERE  
FOR EVERYTHING AND FUTURE

## LIGHT LUXURY

It will bring your dreams, from a familiar life to the endless summer

The vehicles are not cold machines for the younger generation. A pioneering product designed specifically for young people will also focus on their emotional needs. Forthing Friday strives to create more emotional value for users in their daily lives and vacations through exquisite polishing from the inside out.





## ECO-FRIENDLY COCKPIT

The interior space is spacious, with ideal height and width, and the legroom in the rear seats is free. Combined with the superior space performance of 2715mm, you can park and enjoy a relaxing time anytime, anywhere.



## ULTRA WIDE FIELD OF VIEW STARRY SKY TOP

Under the use of a large-sized panoramic sunroof, the romantic scenery is fully displayed, and the large-sized design satisfies a wider field of view. The 64 color dynamic starry sky top is displayed in a pattern of starry dots.



## SEAT HEATING SYSTEM

It is equipped with a high-precision temperature sensor that can accurately sense temperature changes on the seat surface. At the same time, the system can automatically adjust the heating intensity according to your needs and the real-time conditions of the external environment.

Item	EV Luxury	EV Exclusive
<b>Dimension</b>		
Length*Width*Height(mm)	4600×1860×1690	
Wheelbase(mm)	2715	
<b>Motor</b>		
Type of Motor	Permanent Magnet Synchronous Motor	
Cooling Type	Liquid cooling	
Peak Power(kW)	150	
Rated Power (kW)	80	
Maximum Motor Speed (rpm)	16000	
Peak Torque (N.m)	340	
Main Deceleration Ratio	11.558	
Multistage Energy Recovery System	•	
<b>Battery</b>		
Power Battery Materials	Lithium Iron Phosphate	
Cooling Type	Liquid Cooling	
Battery Capacity (kwh)	64.4	
Pure electric range (CLTC)	500 Km	
<b>Charge</b>		
Car-charger Power	11kw	
Fast / Slow Charging Interface (DC/AC)	•	
Charging Interface with Lock	•	
Slow Charging Time (Instrument Power Range from 0% to 100%)	7h	
Fast Charging Time (SOC 30%~80%)	30min	
<b>Transmission</b>		
Transmission Type	Single-speed Fixed Ratio	
Number of Gear	P/R/N/D	
<b>Chassis</b>		
Front Suspension Type	McPherson Type Independent Suspension + Lateral Stabilizer Bar	
Rear Suspension Type	Multi-link Type Independent Suspension	
steering Transmission Linkage	Electric Steering	
Front Wheel Brake	Ventilation Disc	
Rear Wheel Brake	Disc	
Parking Brake Type	Electronic Parking	
Tyre Size	235/55 R19	
<b>Convenient</b>		
Non-inductive Start	•	
Keyless Entry System	•	
Heating of Rearview Mirrors	•	
Window Anti-pinch Function	•	
Mobile Phone Charging Interface	•	
12V Power Connector	•	
Mobile Phone Wireless Charging	•	
Power Tailgate	•	

Item	EV Luxury	EV Exclusive
<b>Safety Equipment</b>		
Main Driver's Seat Belt Unfastened Buzzer Alarm or Indicator Light		•
Passenger Seat Belt Unfastened Buzzer Alarm Indication		•
Interior Center Lock		•
Automatic Lock		•
Automatic Unlocking after Collision		•
Child Safety Door Lock		•
Door Lock Core		•
ABS		•
Braking Force Distribution (EBD / CBD)		•
Brake Priority		•
Brake Assist (HBA/EBA/BA etc.)		•
Traction Control (ASR/TCS/TRC etc.)		•
Stability Control (ESP/DSC/VSC, etc.)		•
Hill-start Assist Control		•
Hill Descent Assist		•
Automatic Parking		•
ISO FIX International Standard Organization FIX		•
High-mounted Brake Lights		•
Reversing Radar		•
Reversing image		•
360-degree Panoramic Surround View System	x	•
<b>L2 Driver Assistance</b>		
Forward Collision Warning (FCW)	x	•
Automatic Emergency Braking (AEB)	x	•
Emergency Brake Assist (Brake Precharge Pressure)	x	•
Lane Departure Warning (LDW)	x	•
<b>Maneuverability</b>		
Steering Wheel Material		Real Leather
Multi-functional Steering Wheel		•
Steering Wheel Audio Control		•
Steering Wheel Instrument Control		•
Steering Wheel Up/Down Adjustment		•
Steering Wheel Front/Rear Adjustment		•
Electronic Shift		•
Driving Mode		ECONORMAL/SPORT
<b>Seat</b>		
Seat Adjustment	Manual Adjustment	Electric Adjustment
Power Seat Memory	x	•
Seat Ventilation	x	•
Seat Heating	x	•
Seat Massage	x	•
Passenger Seat Adjustment	Manual Adjustment	Electric Adjustment
Seat Heating	x	•



Item	REEV Luxury	REEV Exclusive
------	-------------	----------------

Dimension		
Length*Width*Height(mm)	4600*1860*1690	
Wheelbase(mm)	2715	

Engine		
Engine Brand	DFLZM	
Engine Model	4F15N	
Displacement (L)	1.498	
Air Intake Type	Naturally aspirated	
Rated Power (kW)	75	
Rated Power Speed (RPM)	6000	
Max Torque (N·m)	130	
Max Torque Speed (RPM)	4000	
Fuel Type	Gasoline	
Fuel Grade	87# or above	
Fuel Supply Method	Direct injection	
Fuel Tank Capacity (L)	43L	
Max comprehensive range(CLTC)	1137 Km	

Motor		
Type of Motor	Permanent Magnet Synchronous Motor	
Cooling Type	Liquid Cooling	
Peak Power(kW)	120	
Rated Power (kW)	55	
Maximum Motor Speed (rpm)	16000	
Peak Torque (N.m)	240	
Main Deceleration Ratio	12.573	
Brake Energy Recovery System	•	
Multistage Energy Recovery System	•	

Battery		
Power Battery Materials	Lithium Iron Phosphate	
Cooling Type	Liquid cooling	
Battery Capacity (kwh)	31.94	
Pure electric range (CLTC)	248 Km	

Charge		
Car-charger Power	6.6kw	
Fast / Slow Charging Interface (AC/DC)	•	
Charging Interface with Lock	•	
Reservation Charging Function	•	
Slow Charging Time (Instrument Power Range from 0% to 100%)	≤5.5h	
Fast Charging Time (SOC 30%-80%)	≤0.5h	

Chassis		
Front Suspension Type	McPherson Type Independent Suspension + Lateral Stabilizer Bar	
Rear Suspension Type	Multi-link Type Independent Suspension	
steering Transmission Linkage	Electric Steering	
Front Wheel Brake	Ventilation Disc	
Rear Wheel Brake	Disc	
Parking Brake Type	Electronic Parking	
Tyre Size	235/55 R19	

Item	REEV Luxury	REEV Exclusive
------	-------------	----------------

Safety Equipment		
Main Driver's Seat Belt Unfastened Buzzer Alarm or Indicator Light		•
Passenger Seat Belt Unfastened Buzzer Alarm Indication		•
Interior Center Lock		•
Automatic Lock		•
Automatic Unlocking after Collision		•
Child Safety Door Lock		•
Door Lock Core		•
ABS		•
Braking Force Distribution (EBD / CBD)		•
Brake Priority		•
Brake Assist (HBA/EBA/BA etc.)		•
Traction Control (ASR/TCS/TRC etc.)		•
Stability Control (ESP/DSC/VSC, etc.)		•
Hill-start Assist Control		•
Hill Descent Assist		•
Automatic Parking		•
ISO FIX International Standard Organization FIX		•
High-mounted Brake Lights		•
Reversing Radar		•
Reversing image		•
360-degree Panoramic Surround View System	x	•

Convenient		
Non-inductive Start		•
Keyless Entry System		•
Electric Adjustment of Rearview Mirrors		•
Heating of Rearview Mirrors		•
Window Anti-pinch Function		•
One-touch Window Up/Down		•
Mobile Phone Wireless Charging		•
Power Tailgate	x	•

L2 Driver Assistance		
Forward Collision Warning (FCW)	x	•
Automatic Emergency Braking (AEB)	x	•
Emergency Brake Assist (Brake Precharge Pressure)	x	•
Lane Departure Warning (LDW)	x	•
Traffic Jam Assist (TJA)	x	•

Seat		
Driver Seat Adjustment	Manual Adjustment	Electric Adjustment
Power Seat Memory	x	•
Seat Ventilation	x	•
Seat Heating	x	•
Seat Massage	x	•

Passenger Seat Adjustment	Manual Adjustment	Electric Adjustment
Seat Ventilation	x	•
Seat Heating	x	•
Seat Massage	x	•



Item	RHD EV Luxury	RHD EV Exclusive
<b>Dimension</b>		
Length*Width*Height(mm)	4600×1860×1690	
Wheelbase(mm)	2715	
<b>Motor</b>		
Type of Motor	Permanent Magnet Synchronous Motor	
Cooling Type	Liquid cooling	
Peak Power(kW)	150	
Rated Power (kW)	80	
Peak Torque (N.m)	340	
Multistage Energy Recovery System	•	
<b>Battery</b>		
Power Battery Materials	Lithium Iron Phosphate	
Cooling Type	Liquid cooling	
Battery Capacity (kwh)	64.4	
Pure electric range (CLTC)	500 Km	
<b>Charge</b>		
Car-charger Power	11kw	
Fast / Slow Charging Interface (AC / DC)	•	
Charging Interface with Lock	•	
Slow Charging Time (Instrument Power Range from 0% to 100%)	7h	
Fast Charging Time (SOC 30%~80%)	30min	
<b>Chassis</b>		
Front Suspension Type	McPherson Type Independent Suspension + Lateral Stabilizer Bar	
Rear Suspension Type	Multi-link Type Independent Suspension	
steering Transmission Linkage	Electric Steering	
Front Wheel Brake	Ventilation Disc	
Rear Wheel Brake	Disc	
Parking Brake Type	Electronic Parking	
Tyre Size	235/55 R19	
<b>Maneuverability</b>		
Steering Wheel Material	real leather	
Multi-functional Steering Wheel	•	
Steering Wheel Audio Control	•	
Steering Wheel Instrument Control	•	
Steering Wheel Up/Down Adjustment	•	
Steering Wheel Front/Rear Adjustment	•	
Electronic Shift	•	
Driving Mode	ECO/NORMAL/SPORT	
<b>L2 Driver Assistance</b>		
Forward Collision Warning (FCW)	×	•
Automatic Emergency Braking (AEB)	×	•
Emergency Brake Assist (Brake Precharge Pressure)	×	•
Lane Departure Warning (LDW)	×	•

Item	RHD EV Luxury	RHD EV Exclusive
<b>Safety Equipment</b>		
Main Driver's Seat Belt Unfastened Buzzer Alarm or Indicator Light		•
Passenger Seat Belt Unfastened Buzzer Alarm Indication		•
Interior Center Lock		•
Automatic Lock		•
Automatic Unlocking after Collision		•
Child Safety Door Lock		•
Door Lock Core		•
ABS		•
Braking Force Distribution (EBD / CBD)		•
Brake Priority		•
Brake Assist (HBA/EBA/BA etc.)		•
Traction Control (ASR/TCS/TRC etc.)		•
Stability Control (ESP/DSC/VSC, etc.)		•
Hill-start Assist Control		•
Hill Descent Assist		•
Automatic Parking		•
ISO FIX International Standard Organization FIX		•
High-mounted Brake Lights		•
Reversing Radar		•
Reversing image		•
360-degree Panoramic Surround View System	×	•
<b>Convenient</b>		
Keyless Entry System		•
Electric Adjustment of Rearview Mirrors		•
Heating of Rearview Mirrors		•
Anti-glare Interior Mirrors		•
Window Anti-pinch Function		•
One-touch Window Up/Down		•
Mobile Phone Charging Interface		•
12V Power Connector		•
Mobile Phone Wireless Charging		•
Power Tailgate	×	•
<b>Light</b>		
Automatic Lighting		•
LED Daytime Running Lamp		•
Headlight Delay-off Function		•
Headlight Height Adjustable		•
Automatic Trunk Light		•
<b>Seat</b>		
Driver Seat Adjustment	Manual Adjustment	Electric Adjustment
Power Seat Memory	×	•
Seat Ventilation	×	•
Seat Massage	×	•
Passenger Seat Adjustment	Manual Adjustment	Electric Adjustment



“ Every Forthing is a technological art. It is full of energy and vitality. The road ahead will become its stage. ”

# U-TOUR

## VEHICLE INTRODUCTION

01

## STYLING DESIGN

FORTHING EVERYWHERE  
FOR EVERYTHING AND FUTURE

## BRILLIANT APPEARANCE

Gorgeous journey, creating a brand new family car

In the sea of speed, U-tour is like a luxury yacht that cuts through the serenity of the sea. The exterior of the U-tour is charming and unique, with elegant models, dynamic lines and eye-catching color combinations. Every part of the body has been carefully designed, combining art and practicality, so that people can appreciate the performance and quality of the vehicle at the same time. The U-tour also creates a high-quality MPV that combines comfortable space, high safety and high economy for family users, making every trip become a trip to enjoy life.





## APPEARANCE OF U-TOUR BRAVING WINDS AND WAVES

Using "yacht" elements to create a grand appearance. Different from the traditional 7-seater family car's moderate appearance, guided by the "sharp and dynamic" design concept, the body lines and the entire vehicle styling are integrated with the "yacht" design elements to create a new experience of light and luxurious aesthetics for the users both internally and externally.



### PERSONALIZED GRILLE BREATHING LIGHTS

The distinguished welcome front breathing light combines technology and quality, instantly attracting attention.



### 18 INCH SPORT WHEELS

Based on the five-spoke wheel design, the two-color fine-cutting process, shaping the mirror-like metal texture.



02

## SAFETY PERFORMANCE

FORTHING EVERYWHERE  
FOR EVERYTHING AND FUTURE

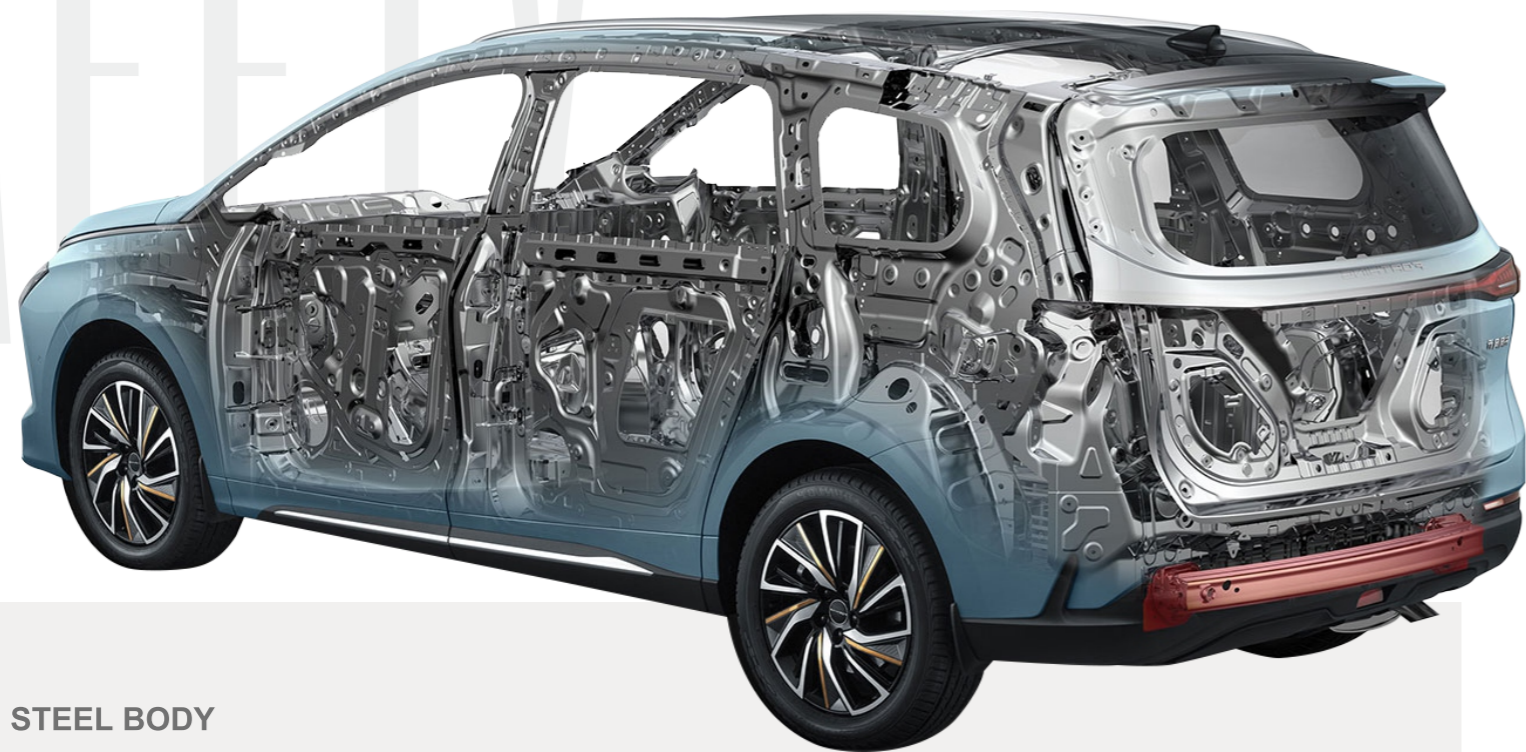
## AS STRONG AS IRON

The ups and downs along the way will not become obstacles for you

Each U-TOUR is safe and agile, solid but flexible, protecting your safety all the way like a real warrior. The road in front of him is the direction of his efforts to move forward, interpreting the significance of the "yacht".

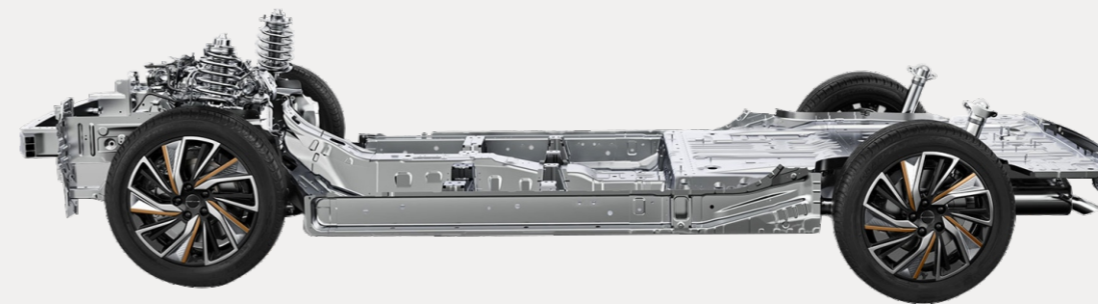


# SAFETY



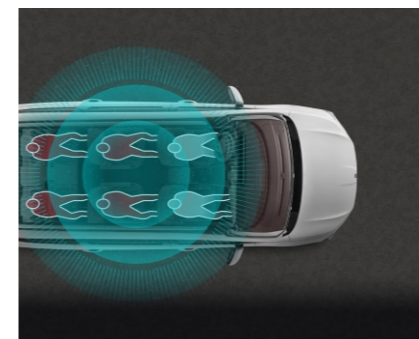
## HIGH-STRENGTH STEEL BODY

360° high-strength steel body structure, to achieve high-energy guarding, maximum protection of driver and passenger safety, for every trip.



## EMA SUPER CUBE MODULAR PLATFORM

It has been professionally reviewed and adjusted by three authoritative institutions to provide a quiet, comfortable, stable and reliable chassis, as well as an efficiently utilized and multi-functional space.



## VITAL SIGN MONITORING

It can monitor the vital signs of the vehicle's passengers in real time, issue timely safety reminders and alarms, and provide safer guarding.



## INTELLIGENT ASSISTED DRIVING

Full-scene intelligent driving assistance technology, up to 15 function points, multiple visual and multiple warning to realize multiple safety guards, ensure driving stability, foresee more road conditions ahead, so as to make driving easier.

03

## INTERIOR DESIGN

FORTHING EVERYWHERE  
FOR EVERYTHING AND FUTURE

## GORGEOUS AND EXQUISITE

Always maintains its timeless charm in the ever-changing fashion trends

The beauty of the interior is the ultimate pleasure. It allows us to find a moment of peace in our busy lives, and lets us feel the coziness of quality and comfort at the same time. This beauty is beyond words. Move forward, catch the scenery's tail, and let it wild with you again.





## EXTRAORDINARY COMFORTABLE SPACE

3 kinds of seat layout + more than 10 kinds of seat changes: class-leading hundred-variable seat forms, the longest wheelbase of 2900mm in the same class, spacious and atmospheric, the three rows and the luggage area space is reasonably optimized and arranged to bring the family a comfortable ride comparable to that of a luxury car.



## EXTRA LARGE TRUNK SPACE

Traveling luggage, camping equipment, supermarket shopping can be easily loaded without pressure. Every inch of space can be fully utilized.



## FRONT ROW SLEEPING MODE

The ingenious design of connecting the first and second rows of seats realizes the "yacht recline" that combines comfort and convenience, and with the high-quality sleep headrests, reclining becomes the best way to rest.

Item	PHEV Luxury	PHEV Exclusive
<b>Dimension</b>		
Length*Width*Height(mm)	4850x1900x1715	
Wheelbase(mm)	2900	
<b>Engine</b>		
Displacement (L)	1.497	
Air Intake Type	Turbocharge	
Rated Power (kW)	113	
Max Torque (N·m)	230	
Fuel Type	Gasoline / 92# or above	
Fuel Tank Capacity (L)	50	
<b>Motor</b>		
Type of Motor	Permanent Magnet Synchronous Motor	
Cooling Type	Liquid Cooling	
Peak Power(kW)	150	
Peak Torque (N·m)	310	
Multistage Energy Recovery System	•	
<b>Battery</b>		
Power Battery Materials	Ternary Lithium Ion	
Cooling Type	Liquid Cooling	
Battery Capacity (kwh)	20.16	
<b>Charge</b>		
Car-charger Power	6.6kw	
Slow Charging Interface (AC)	•	
Charging Interface with Lock	•	
Slow Charging Time (Instrument Power Range from 0% to 100%)	3h	
<b>Chassis</b>		
Front Suspension Type	McPherson Type Independent Suspension + Lateral Stabilizer Bar	
Rear Suspension Type	Multi-link Type Independent Suspension	
steering Transmission Linkage	Electric Steering	
Front Wheel Brake	Ventilation Disc	
Rear Wheel Brake	Disc	
Parking Brake Type	Electronic Parking	
Tyre Size	235/55 R18	
<b>L2 Driver Assistance</b>		
Forward Collision Warning (FCW)	×	•
Automatic Emergency Braking (AEB)	×	•
Emergency Brake Assist (Brake Precharge Pressure)	×	•
Lane Departure Warning (LDW)	×	•
Traffic Jam Assist (TJA)	×	•

Item	PHEV Luxury	PHEV Exclusive
<b>Safety Equipment</b>		
Main Driver's Seat Belt Unfastened Buzzer Alarm or Indicator Light		•
Passenger Seat Belt Unfastened Buzzer Alarm Indication		•
Interior Center Lock		•
Automatic Lock		•
Automatic Unlocking after Collision		•
Child Safety Door Lock		•
Door Lock Core		•
ABS		•
Braking Force Distribution (EBD / CBD)		•
Brake Priority		•
Brake Assist (HBA/EBA/BA etc.)		•
Traction Control (ASR/TCS/TRC etc.)		•
Stability Control (ESP/DSC/VSC, etc.)		•
Hill-start Assist Control		•
Hill Descent Assist		•
Automatic Parking		•
ISO FIX International Standard Organization FIX		•
High-mounted Brake Lights		•
360-degree Panoramic Surround View System	×	•
<b>Convenient</b>		
Keyless Entry System		•
Electric Adjustment of Rearview Mirrors		•
Heating of Rearview Mirrors		•
Mobile Phone Wireless Charging	×	•
Power Tailgate	×	•
<b>Seat</b>		
Driver Seat Adjustment	Manual 6-way Adjustment	Electric 8-way Adjustment
Power Seat Memory	×	•
Seat Ventilation	×	•
Seat Heating	×	•
Passenger Seat Adjustment	Manual 4-way Adjustment	Electric 4-way Adjustment
Seat Ventilation	×	•
Seat Heating	×	•
Second - row Seats Electric Adjustment	×	•
Seat Ventilation	×	•
Seat Heating	×	•
Independent Armrests for Each Seat		•



Item	HEV Luxury	HEV Exclusive
------	------------	---------------

### Dimension

Length*Width*Height(mm)	4850x1900x1715	
Wheelbase(mm)	2900	

### Engine

Engine Brand	DFLZM
Engine Model	4E15T
Displacement (L)	1.493
Air Intake Type	T&I
Rated Power (kW)	125
Rated Power Speed (RPM)	5500
Max Torque (N·m)	280
Max Torque Speed (RPM)	1500-3500
Fuel Type	Gasoline
Fuel Grade	92# or above
Fuel Supply Method	Direct injection
Fuel Tank Capacity (L)	55

### Motor

Type of Motor	Permanent Magnet Synchronous Motor
Cooling Type	Liquid cooling
Peak Power(kW)	130
Rated Power (kW)	55
Maximum Motor Speed (rpm)	16000
Peak Torque (N.m)	300
Main Deceleration Ratio	11.734
Brake Energy Recovery System	•
Multistage Energy Recovery System	•

### Battery

Power Battery Materials	Ternary lithium battery
Cooling Type	Liquid cooling
Battery Capacity (kwh)	2

### Maneuverability

Steering Wheel Material	Real leather
Multi-functional Steering Wheel	•
Driving Mode	ECO/NORMAL/SPORT

### Chassis

Front Suspension Type	McPherson Type Independent Suspension + Lateral Stabilizer Bar
Rear Suspension Type	Multi-link Type Independent Suspension
steering Transmission Linkage	Electric Steering
Front Wheel Brake	Ventilation Disc
Rear Wheel Brake	Disc
Parking Brake Type	Electronic Parking
Tyre Size	215/55 R18

Item	HEV Luxury	HEV Exclusive
------	------------	---------------

### Transmission

Transmission Type	Hybrid - specific gearbox(DHT)
Number of Gear	R/D/N/P

### Safety Equipment

Main Driver's Seat Belt Unfastened Buzzer Alarm or Indicator Light	•
Passenger Seat Belt Unfastened Buzzer Alarm Indication	•
Reversing Radar	•
Reversing image	•
360-degree Panoramic Surround View System	•

### L2 Driver Assistance

Forward Collision Warning (FCW)	•
Automatic Emergency Braking (AEB)	•
Emergency Brake Assist (Brake Precharge Pressure)	•
Lane Departure Warning (LDW)	•
Traffic Jam Assist (TJA)	•

### Convenient

Keyless Entry System	•
Electric Adjustment of Rearview Mirrors	•
Heating of Rearview Mirrors	•
Window Anti-pinch Function	•
One-touch Window Up/Down	•
Mobile Phone Charging Interface	•
Mobile Phone Wireless Charging	•
Power Tailgate	•

### Light

Automatic Lighting	•
LED Daytime Running Lamp	•
Headlight Delay-off Function	•
Headlight Height Adjustable	•

### Seat

Driver Seat Adjustment	Electric 8-way Adjustment	Electric 10-way Adjustment
Power Seat Memory	•	•
Seat Ventilation	•	•
Seat Heating	•	•
Seat Massage	×	•
Passenger Seat Adjustment	Electric 4-way Adjustment	Electric 4-way Adjustment
Seat Ventilation	•	•
Seat Heating	•	•
Second - row Seats Electric Adjustment	×	•
Seat Ventilation	×	•
Seat Heating	×	•

ORIGINAL DESIGN

# FORD THUNDER U-TOUR



**197 P**  
1.5TD Engine Max Hp

**0.3 cd**  
Wind Resistance

**6.6 L/100km**  
WLTC Fuel Consumption

Item	Luxury	Exclusive
<b>Dimension</b>		
Length*Width*Height(mm)	4850*1900*1715	4850*1900*1715
Wheelbase(mm)	2900	2900
<b>Engine</b>		
Drive Mode	Front-Mounted Front Drive	Front-Mounted Front Drive
Engine Model	4A95TD	4A95TD
Displacement(L)	1.481	1.481
Intake Mode	Supercharged Intercooler	Supercharged Intercooler
Rated Power(kW)	145	145
Rated Power Speed(rpm)	5600	5600
Maximum Torque(N.m)	285	285
Maximum Torque Speed(rpm)	1500-4000	1500-4000
Engine Technology	DVVT+GDI	DVVT+GDI
Fuel Type	Gasoline	Gasoline
Fuel Grade	92# and above	92# and above
Fuel Supply Mode	Direct Injection	Direct Injection
Fuel Tank Capacity (L)	55	55
Start-stop System (STT)	•	•
<b>Transmission</b>		
Transmission Type	DCT	DCT
Number of Gears	7	7
<b>Chassis</b>		
Front Suspension Type	MacPherson Independent Suspension + Lateral Stabilizer Bar	MacPherson Independent Suspension + Lateral Stabilizer Bar
Rear Suspension Type	Trailing Arm Non-Independent Suspension	Trailing Arm Non-Independent Suspension
Steering Gear	Electric Steering	Electric Steering
Front Brake	Ventilated Disc	Ventilated Disc
Rear Wheel Brake	Disc	Disc
Parking Brake Type	Electronic Parking	Electronic Parking
Tire Size	215/55 R18	215/55 R18
<b>Safety Configuration</b>		
Buzzer Alarm or Indicator Light for Unfastened Seat Belts in the Driver's Seat	•	•
Passenger Seat Belt Unfastened Buzzer Alarm Indicator	•	•
Child Safety Door Lock	• Manual	• Manual
Automatic Parking	•	•
ISO FIX Child Seat Anchors	•	•
Rear Parking Radar	•	•
Backup Camera	• With Dynamic Track, SD Image	• With Dynamic Track, SD Image
360-Degree Panoramic Camera	x	x
Forward Collision Warning (FCW)	x	x
Adaptive High and Low Beam	x	x
<b>Maneuverability configuration</b>		
Steering Wheel Material	• Leather	• Leather
Multi-Function Steering Wheel	•	•
Steering Wheel Bluetooth	•	•
Shift Knob Material	• Leather	• Leather
Electronic Shift	•	•

Item	Luxury	Exclusive
<b>Convenience Configuration</b>		
Intelligent Key	•	•
Keyless Entry System	•	•
Cementless Wipers	•	•
Sensor Wipers	x	•
Wiper Toggle	Intermittent Adjustable Wiper Toggle	Sensitivity Adjustable Wiper Toggle
Electric Adjustable Rearview Mirror	•	•
Rearview Mirror Heating	x	•
Rearview Mirror Locking Auto-Folding	x	•
Exterior Mirrors Reversing Memory Assist	x	•
Window Anti-Pinch Function	•	•
5V USB Charging Port	•	•
12V Power Connector	•	•
Electric Tailgate	x	•
<b>Multimedia</b>		
Center Console Display	HD 10.25-Inch LCD Screen	HD 10.25-Inch LCD Screen
Combined Instrumentation	10.25-Inch Segment Code Screen	10.25-Inch LCD Screen
USB External Audio Interface	•	•
Video Playback	•	•
Bluetooth System	•	•
Cell Phone Connectivity	•	•
Car Recorder	x	•
Number of Speaker	4	6
<b>Seat</b>		
Seat Fabric	Imitation Leather	Imitation Leather
Seat Structure	7-Seater (2+2+3 Structure)	7-Seater (2+2+3 Structure)
Adjustment	Manual Adjustment, 6-Way, Seat Up/Down/Forward/Backward Backrest Forward/Backward	Electric Adjustment, 10-Way, Seat Up/Down/Forward/Backward Backrest Forward/Backward Lumbar Up/Down, Forward/Backward
Main Driver's Seat	Electric Seat Memory x Seat Ventilation x Seat Heating x Seat Massage x Seat Backrest Backboard Small Table with Cup Holder x	• • • • •
Adjustment	Manual Adjustment, 4-Way, Seat Forward/Backward Backrest Forward/Backward	Electric Adjustment, 4-Way, Seat Forward/Backward, Backrest Forward/Backward
Passenger Seat	Seat Ventilation x Seat Heating x Boss Button x Seat Backrest Backboard, Small Table with Cup Holder x	• • • •
Slide Forward and Backward	•	•
Slide Left and Right	x	•
Second Row Seat	Electric Adjustment (Forward/Backward, Backrest Angle) x Seat Ventilation x Seat Heating x	• • •
Adjustable Seatback Angle	•	•
Second Row Seat	Backrests Folded Forward Flush with Luggage Compartment	•



“

Unique design endows cars with unparalleled beauty. The streamlined body and luxurious interior shows delicacy and quality in every detail. This is not only a car, but also a perfect combination of art and technology.

”



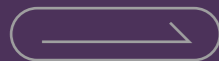
VEHICLE INTRODUCTION

VO

# Forthing V9



Every time you sit in the car, you can be immersed in endless luxury and elegance, and it symbolizes serenity, harmony and unending vitality, combining the beauty of nature and modern craftsmanship to give the whole car unparalleled visual charm and sensory enjoyment.



**3018 mm**  
Wheelbase

**200 km**  
Pure Electric Range

**2792 L**  
Max Luggage Space



01

## AESTHETIC APPEARANCE

FORTHING EVERYWHERE  
FOR EVERYTHING AND FUTURE

## CHINESE AESTHETICS

Extremely beautiful design,  
showing all the high-end elegance and taste

Whether it's picking up and dropping off family or business receptions  
it always instantly captures everyone's attention and showcases its unique charm.



### CHINESE KNOT FRONT FACE DESIGN

The perfect blessing symbolizes the  
beauty of Chinese romance and  
traditional design.



### 19 INCH FIREWORKS WHEEL HUB

The 19 inch aluminum alloy wheels  
permanently freeze the dazzling  
moments of fireworks, perfectly blending  
dynamic visual effects with the beauty of  
freeze, creating a unique visual impact  
that is brilliant but not lacking in texture.



### FRINGE STYLE HEADLIGHT ASSEMBLY

The front headlights have a total of 150 LED  
beads, forming a flowing and colorful ribbon,  
symbolizing a safe journey; Cooperate with  
gemstone high beam auxiliary decorative  
lights to create a luxurious sense of  
technology and grade.



### RIBBON THROUGH TAIL LIGHTS

The tail light elements are modeled  
after lanterns as a source of intention,  
with a total of 280 LED beads arranged  
in an orderly and infinite extension,  
restoring ingenious craftsmanship and  
a beautiful vision.

# 02

## LUXURY SPACE

FORTHING EVERYWHERE  
FOR EVERYTHING AND FUTURE

## SUPREME SPACE

Enjoy comfort and experience the villa's home style full scene cockpit

Full scene luxury cabin, private comfort for every journey



### FIRST-CLASS CABIN IN THE FRONT ROW

10 way electric seat adjustment, equipped with heating, ventilation, and 8-point massage functions, and comes with seat memory, paired with five preset massage modes and a down headrest, ensuring full comfort even during long-distance driving.



### ENJOYING THE QUEEN'S CO PILOT

8-way electric adjustment, can be adjusted to the most comfortable half lying position through voice or one click on the phone, equipped with heating, ventilation, and 8-point massage functions, providing a comprehensive Queen's seating experience.



### SECOND ROW INTELLIGENT ENTERTAINMENT SPACE

Integrated armrest smart screen, a 5-inch integrated armrest smart screen with a resolution of 800 \* 480, supporting electric 10 way adjustment, heating, ventilation, massage, leg rest control, air conditioning control, and more for second row seats.



### THREE ROWS OF STRETCHING AND REST SPACE

A 1.8-meter starry sky king bed room with three rows of sunken seats, providing a comfortable 1.8-meter space that can accommodate any family's thoughts.

# COMFORT



## STRETCHING VERSATILE SPACE

Luxury space changes according to your heart, and it can accommodate the whole family. The second and third rows of traffic are freer, allowing for easier entry and exit. Passengers can easily get on and off the vehicle, and both adults and children can easily pass through the vehicle.

Item	1.5TD HEV Luxury	1.5TD HEV Honour	1.5TD PHEV (160km)
<b>Dimension</b>			
Length*Width*Height(mm):	5251*1920*1820		
Wheelbase(mm):	3018		
Seats:	7		
<b>Power system</b>			
Engine Displacement (L):	1.5		
Fuel:	Gasoline		
Fuel tank volume (L):	60		
<b>Battery</b>			
Battery capacity (kwh):	2.0	2.0	34.9
Battery Material:	Ternary lithium battery	Ternary lithium battery	Ternary lithium battery
<b>Chassis</b>			
Steering device:	Electric Steering		
Front brake:	Ventilation Disc		
Rear brake:	Disc		
Aluminum alloy wheels:	•		
Tyre Spec:	225/55 R18	225/55 R18	245/45 R19
<b>Charge</b>			
Slow charging interface (AC):	/	/	•
Charging time:	/	/	11.5h

Item	1.5TD HEV Luxury	1.5TD HEV Honour	1.5TD PHEV (160km)
<b>Equipments</b>			
Front row airbag:	•	•	•
Front row side airbags:	x	•	•
Head air curtain:	x	•	•
Front row seat beltunfastened alarm:	•	•	•
ISOFIX:	•	•	•
ABS:	•	•	•
ESP:	•	•	•
Hill-start Assist:	•	•	•
Reverse image:	•	•	•
360° panoramic camera:	x	•	•
Front parking radar:	x	•	•
LDW:	x	•	•
FCW:	x	•	•
Adaptive high and low beam headlights:	x	•	•
Cruise control:	•	x	x
Intelligent Cruise Control:	x	•	•
Steering wheel material:	Leather	Leather	Leather
Multi-function steering wheel:	•	•	•
Automatic air conditioning:	•	•	•
Rear row air conditioning:	•	•	•
Side sliding door:	Manual	Electric	Electric
Panoramic sunroof:	x	•	•
Power tailgate:	x	•	•
Triple through screen:	•	•	•
Seat Material:	imitation leather	imitation leather	imitation leather
Front row seat functions:	x	Ventilation + Heating	Ventilation + Heating
Second row seat functions:	x	Ventilation + Heating	Ventilation + Heating



Gentian violet



Starry White



Starry Black



Chinese knot



Qingyun Ladder



“

It is not just a means of transportation, but also a partner for us to pursue our dreams and unleash our passion. Having a car with a unique style and excellent performance is equivalent to having a happy engine that starts at any time.

”



VEHICLE INTRODUCTION

07

# S7

Design

Speed

Power

Extreme

Ultra low wind resistance

# Forthing S7

**0.191cd**  
Wind Resistance

**165 km/h**  
Top Speed

**200 kw**  
Peak Power

The design concept of S7 deeply understands the young people's longing for relaxation and a better life, their desire for car appearance and individuality, and the vast inspiration of freedom derived from the interpretation of the "Starry Sea" brand.



black



white



blue



Purple



green



red



01

## EXQUISITE APPEARANCE

FORTHING EVERYWHERE  
FOR EVERYTHING AND FUTURE

## THE VAST SEA OF STARS

Inspired by the beautiful expanse of the Milky Way that meteors cut through the sky

Create a new design style of "interstellar fluid aesthetics", laying the foundation for the styling of the vehicle model. To give warmth to the future of technology and touch the heartstrings of young people.



### LED THROUGH TYPE TAIL LIGHTS

The inspiration for taillight elements comes from the vast Milky Way, arranged in an orderly and infinite manner, restoring ingenious craftsmanship and a beautiful vision.



### 7-SHAPED HEADLIGHTS

The narrow 7-shaped LED headlights on both sides showcasing the unique identity of pure electric vehicles.



### 5-SPOKE BLADE WHEEL HUB

Static sharpness coexists with dynamic ferocity, running like stepping on a wind and fire wheel, this is the design intention and soul of the blade wheel hub.



### EXQUISITE BODY WAISTLINE

The side body curve is smooth, and the boundless starry sky curve outlines the beauty and ultimate power of the S7 posture. The beautiful waistline, with a golden ratio of 0.618, outlines the unique vitality and beauty of the S7.

# 02

## COMFORTABLE INTERIOR

FORTHING EVERYWHERE  
FOR EVERYTHING AND FUTURE

### SPACE LEVEL QUIET SPACE

Enjoy the comfort and quietness of a large space in the class of a space capsule.

Let the noise outside the window, inside it always quiet and soundless. The whole car totaled 70 items of structural design special inspection, with the intention to provide customers with a quieter and more private personal space.



#### ECO-HEALTHY SEAT

Intelligent cleaning, the car air conditioning air guide system to form an antibacterial and anti-bacterial environment, creating a healthy and comfortable space.



#### INTEGRATED SEAT HEATING

Seat cushions and backrests are dual-heated to enhance driving comfort and warm the body from the lumbar back to the palms of the hands for more thorough warming.



#### EXTRA LARGE TRUNK

The 398L trunk can accommodate more luggage to meet all the needs of a family traveling; opening the cover presents 115L of oversized sunken storage space to accommodate more and bigger suitcases; the rear seats are put down to 1303L, with a depth of 1942mm.



#### FATIGUE MONITORING SYSTEMS

Always monitor the driver's fatigue level while driving, as well as distraction alerts, always guarding the safety of the driver and passengers.

Item	REEV Luxury	REEV Exclusive
------	-------------	----------------

### Dimension

Length*Width*Height(mm)	4935*1915*1495	
Wheelbase(mm)	2915	
Seats	5	

### Engine

Displacement (L)	1.5	
Air Intake Type	Naturally aspirated	
Rated Power (kW)	74	
Rated Power Speed (RPM)	5500	
Max Torque (N·m)	132	
Max Torque Speed (RPM)	4500	
Fuel Type	Gasoline/92# or above	
Fuel Supply Method	Direct injection	
Fuel Tank Capacity (L)	45	

### Engine

Drive Mode	Rear-mounted Rear Drive	
Type of Motor	Permanent Magnet Synchronous Motor	
Cooling Type	Liquid Cooling	
Peak Power(kW)	154	
Rated Power (kW)	60	
Maximum Motor Speed (rpm)	16000	
Peak Torque (N·m)	310	

### Battery

Power Battery Materials	Lithium Iron Phosphate	
Cooling Type	Liquid Cooling	
Battery Heating Device	•	
Battery Capacity (kwh)	28.4	

### Charge

Car-charger Power	6.6KW	
Slow Charging Time	6.6kW Charging Pile about 4.5 Hours (RT)	
Fast Charging Time	25°C: 120kW Charging Pile 30mins	

### Chassis

Front Suspension Type	McPherson Type Independent Suspension + Lateral Stabilizer Bar	
Rear Suspension Type	Multi-link Type Independent Suspension	
Rear Wheel Brake	Disc	
Parking Brake Type	Electronic Parking	
Tyre Size	235 / 50R18	235 / 45R19

### Transmission

Transmission Type	Single-speed Fixed Ratio	
Number of Gear	P/R/N/D	

Item	REEV Luxury	REEV Exclusive
------	-------------	----------------

### Safety Configuration

Electronic Anti-theft	•	
Interior Center Lock	•	
Automatic Lock	•	
Automatic Unlocking after Collision	•	
Door Lock Core	•	
ABS	•	
Braking Force Distribution (EBD / CBD)	•	
Brake Assist (HBA/EBA/BA etc.)	•	
Traction Control (ASR/TCS/TRC etc.)	•	
Stability Control (ESP/DSC/VSC, etc.)	•	
Hill-start Assist Control	•	
SO FIX	•	
High-mounted Brake Lights	•	
Front Parking Radar	•	
Reversing Radar	•	

### L2 Driver Assistance

Forward Collision Warning (FCW)	×	•
Automatic Emergency Braking (AEB)	×	•
Emergency Brake Assist (Brake Precharge Pressure)	×	•
Lane Departure Warning (LDW)	×	•
Lane Departure Prevention (LDP)	×	•
Adaptive Cruise Control (ACC)	×	•
Lane Keeping Assist (LKA)	×	•
Traffic Jam Assist (TJA)	×	•

### Convenience

Keyless Entry System	•	•
Induction Wiper	×	•
Electric Adjustment of Rearview Mirrors	•	•
Heating of Rearview Mirrors	•	•
Anti-glare Interior Mirrors	•	•
Window Anti-pinch Function	•	•
Automatic Window Closing Function for Rain	×	•
Mobile Phone Charging Interface	•	•
12V Power Connector	•	•
Mobile Phone Wireless Charging	•	•
Power Tailgate	×	•

### Seat

Driver Seat Adjustment	Manual 6-way Adjustment	Electric 6-way Adjustment
Power seat memory (with welcome slide)	×	•
Driver Seat Ventilation	×	•
Driver Seat Heating	×	•
Passenger Seat Adjustment	Manual 4-way Adjustment	Electric 4-way Adjustment
Passenger Seat Heating	×	•

Item	EV Luxury	EV Exclusive
------	-----------	--------------

### Dimension

Length*Width*Height(mm)	4935*1915*1495	
Wheelbase(mm)	2915	

### Motor

Drive Mode	Rear-mounted Rear Drive	
Type of Motor	Permanent Magnet Synchronous Motor	
Cooling Type	Liquid cooling	
Peak Power(kW)	154	
Rated Power (kW)	60	
Maximum Motor Speed (rpm)	16000	
Peak Torque (N·m)	310	
Drive System Warranty	8 Years or 120,000 Kilometers	

### Battery

Pure Electric Mileage(WLTP)	425	
Power Battery Materials	Lithium Iron Phosphate	
Cooling Type	Liquid cooling	
Battery Warranty	8 Years or 150,000 Kilometers	
Battery Heating Device	•	
Battery Capacity (kwh)	56.8	

### Charge

Car-charger Power	6.6KW	
Slow Charging Interface (AC)	•	
Fast Charging Interface (DC)	•	
Charging Interface with Lock	•	
Reservation Charging Function	•	
Slow Charging Time (0% to 100%)	9 Hours	
Fast Charging Time (SOC 30%-80%)	Room Temperature 25°C: 120kW Charging Pile 28min	

### Transmission

Transmission Type	Single-speed Fixed Ratio	
Number of Gear	P/R/N/D	

### Chassis

Front Suspension Type	McPherson Type Independent Suspension + Lateral Stabilizer Bar	
Rear Suspension Type	Multi-link Type Independent Suspension	
Steering Transmission Linkage	Electric Steering	
Front Wheel Brake	Ventilation Disc	
Rear Wheel Brake	Disc	
Parking Brake Type	Electronic Parking	
Tyre Size	235/50R18	
Quick Tyre Repair Kit	•	

Item	EV Luxury	EV Exclusive
------	-----------	--------------

### Safety Device

Main Driver's Seat Belt Unfastened Buzzer Alarm or Indicator Light	•	
Passenger Seat Belt Unfastened Buzzer Alarm Indication	•	
Front Parking Radar	•	
Reversing Radar	•	
Reversing Image	•	
360-degree Panoramic Surround View System	×	•

### Maneuverability

Steering Wheel Material	Microfiber leather	
Multi-functional Steering Wheel	•	
Electronic Shift	•	
Driving Mode	ECO/NORMAL/SPORT/SPORT+	

### Comfort

Vehicle Grade 95 Standard Filter	•	
Panoramic Sunroof	•	

### Convenient

Keyless Entry System	•	•
Electric Adjustment of Rearview Mirrors	•	•
Heating of Rearview Mirrors	•	•
One-touch Window Up/Down	•	•
Remote Control Window Open/Close	•	•
Mobile Phone Charging Interface	•	•
Mobile Phone Wireless Charging	•	•
Boundless Door	•	•
Power Tailgate	×	•
Induction Wiper	×	•
Automatic Window Closing Function for Rain	×	•

### Light

Front and Rear Combination Welcome Light	•	
Automatic Lighting	•	
LED Daytime Running Lamp	•	
Headlight Delay-off Function	•	
Headlight Height Adjustable	•	
In-car Atmosphere Light	×	•
Headlight Decorative Lamp	×	•

### Seat

Driver Seat Adjustment	Manual Adjustment, 6 Directions	Electric Adjustment, 6 Directions
Driver Seat Power Seat Memory	×	•
Driver Seat Ventilation + Seat Heating	×	•
Passenger Seat Adjustment	Manual Adjustment, 4 Directions	Electric Adjustment, 4 Directions
Passenger Seat Heating	×	•



“ Every Forthing is a technological art, with dynamic and grace. Its spiritual power is convincing and encouraging. The road ahead will become its stage. ”

Other vehicles on sale

**INTRODUCTION**

## SX6 Configuration



Item	1.59L/5MT
<b>Dimension</b>	
Length*Width*Height(mm):	4710*1825*1820
Wheelbase(mm):	2750
Seats:	7
<b>Engine</b>	
Engine brand:	Mitsubishi
Engine model:	4A92
Displacement(L):	1.59
Rated power(kW):	90
Maximum torque (N.m):	151
Fuel Type:	Gasoline / 92# or above
<b>Equipments</b>	
Driver's seat airbag:	•
Front passenger seat airbag:	•
Driver seat belt unfastened alarm:	•
Front passenger seat belt unfastened alarm:	•
ISOFIX:	•
ABS:	•
ESP:	•
Uphill assist:	•
Tire pressure monitoring device:	•
Front parking radar:	•
Reversing radar:	•
Reversing Camera:	•
Cruise control:	•
Steering wheel material:	PU
Multi-function steering wheel:	•
Electric air conditioning:	•
Rear row air conditioning:	•
Central Display:	•(8 inches)
Seat Material:	Fabric
Headrests:	•

Item	1.59L/5MT
<b>Chassis</b>	
Front suspension type:	McPherson-Style Independent Suspension
Rear suspension type:	Trailing arm dependent suspension
Front brake:	Disc
Rear brake:	Disc
Tire specifications:	205/65 R16
Aluminum alloy wheels:	•
<b>Transmission</b>	
Transmission type:	Manual
Number of gears:	5





# T5 Configuration

Item	Luxury	Exclusive
<b>Dimension</b>		
Length*Width*Height(mm)	4550*1855*1750	
Wheelbase(mm)	2735	
<b>Engine</b>		
Engine Brand	DFLZM	
Engine Model	4C15TD	
Displacement (L)	1.493	
Air Intake Type	turbocharge	
Rated Power (kW)	140	
Rated Power Speed (RPM)	5500	
Max Torque (N·m)	280	
Max Torque Speed (RPM)	1500-3500	
Fuel Type	Gasoline / 92# or above	
Fuel Supply Method	Direct injection	
Fuel Tank Capacity (L)	55	
<b>Transmission</b>		
Transmission Type	DCT	
Number of Gear	7	
<b>Chassis</b>		
Front Suspension Type	McPherson Type Independent Suspension + Lateral Stabilizer Bar	
Rear Suspension Type	Multi-link Type Independent Suspension	
steering Transmission Linkage	Electric Steering	
Front Wheel Brake	Ventilation Disc	
Rear Wheel Brake	Disc	
Parking Brake Type	Electronic Parking	
Tyre Size	215/55 R18 (Linglong)	
<b>L2 Driver Assistance</b>		
Forward Collision Warning (FCW)	x	•
Lane Departure Warning (LDW)	x	•
<b>Maneuverability</b>		
Steering Wheel Material	Leather (M4)	
Multi-functional Steering Wheel	•	
Steering Wheel Up/Down Adjustment	•	
Steering Wheel Front/Rear Adjustment	•	
<b>Light</b>		
Automatic Lighting	•	
LED Daytime Running Lamp	•	
Headlight Delay-off Function	•	
Headlight Height Adjustable	electric adjustment	
Automatic Trunk Light	•	

Item	Luxury	Exclusive
<b>Safety Equipment</b>		
Main Driver's Seat Belt Unfastened Buzzer Alarm or Indicator Light		•
Passenger Seat Belt Unfastened Buzzer Alarm Indication		•
Interior Center Lock		•
Automatic Lock		•
Automatic Unlocking after Collision		•
Child Safety Door Lock		•
Door Lock Core		•
ABS Anti-lock		•
Braking Force Distribution (EBD / CBD)		•
Brake Priority		•
Brake Assist (HBA/EBA/BA etc.)		•
Traction Control (ASR/TCS/TRC etc.)		•
Stability Control (ESP/DSC/VSC, etc.)		•
Hill-start Assist Control		•
Hill Descent Assist		•
Automatic Parking		•
ISO FIX International Standard Organization FIX		•
High-mounted Brake Lights		•
Reversing Radar		•
Reversing image		•
<b>Convenient</b>		
Keyless Entry System		• (Only on the driver's side)
Electric Adjustment of Rearview Mirrors		•
Heating of Rearview Mirrors		•
Anti-glare Interior Mirrors		manual
Window Anti-pinch Function		•
One-touch Window Up/Down		•
Mobile Phone Charging Interface		•
Power Tailgate	x	•
<b>Multimedia</b>		
USB External Audio Source Interface		•
Radio Function		FM (Retrofit)
Audio/Video Play		•(Retrofit)
WIFI Function		•(Retrofit)
Bluetooth System		•(Retrofit)
Center Console Display		•(12inch,Retrofit)
<b>Driver/Passenger Seat</b>		
Driver seat lumbar support section		•
Adjustment of the driver's seat		Electric 8-way adjustment
Passenger seat adjustment	Manual 6-way adjustment	Electric 6-way adjustment
Heated front seats	x	•
Front seat back pockets		•



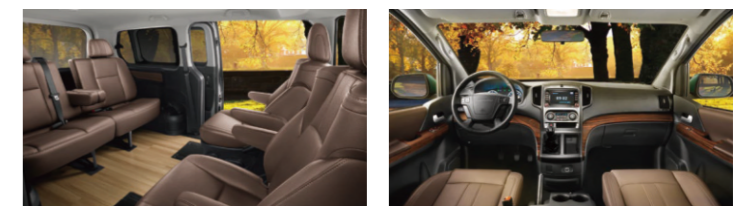
	MPV-M5 PLUS		
	Model	2.0L/6MT Comfort	2.0L/6MT Luxury
Dimension	No of Seats	7, 9	7, 9
	Length*Width*Height(mm)	5140*1920*1920	5140*1920*1920
	Wheelbase(mm)	3198	3198
	Gross weight (kg)	2565	2565
Engine	Engine brand	DFLZM	DFLZM
	Model	DFMB20AQA	DFMB20AQA
	Emission standard	Euro VI	Euro VI
	Displacement (L)	2	2
	Rated power (kW)	98	98
	Maximum torque (N.m/rpm)	200	200
	Fuel form	Gasoline / 92# or above	Gasoline / 92# or above
	Tank volume (L)	55	55
Transmission	Transmission type	MT	MT
	No. of gears	6	6
Chassis	Drive forward	FW	FW
	Parking brake type	Drum-type	Drum-type
	Tyre spec	215/65 R15	215/60 R16
	Spare tyre spec	215/65 R15	215/65 R15
Safety configuration	Driver seat airbag	●	●
	Front passenger seat airbag	●	●
	Driver seat belt unfastened alarm/indicator	●	●
	ABS	●	●
	Brake force distribution (EBD/CBD)	●	●
	Brake override system (BOS)	×	●
	Brake Assist (BA)	×	●
	Traction control	×	●
	Hill-start assist control	×	●
	HDC	×	×
	Automatic parking	×	×
	Tire pressure monitoring device	●	●
Convenience configuration	Reversing radar	●	●
	Reversing camera	×	●
	Rearview mirror memory	×	×
	Front power windows	●	●
	Rear power windows	×	×
	One touch window up/down	×	●
	Window anti-clip function	×	●
	Remote control switch windows	×	●
Remote control switch sunroof	×	×	
Multimedia	Anti-glare of inner and rearview mirror	●	●
	Driving Computer Display Screen	×	7 inch
	Bluetooth system	×	●
	External audio source interface(AUX/USB/iPod)	●	●
	Radio function	●	●
	Music player	●	●
Seat	No. of speakers	4	6
	Materials of seats	Fabric	PU leather

Remark: ●setting, ○optional, ×not setting

» Good companion, ideal partner



» Excellent space to meet various needs



360° adjustable 2nd row seats

Hexible seat layout

» Economical, reliable power train to optimize the driving experience



ESP+ high-strength body+ double airbags+ reversing radar/camera



FORTHING M5 EV						
	Regular version			Operational version		
	基本型	豪华型	标准型	基本型	豪华型	标准型
Safety	Model settings	7 seat	9 seat	7 seat	9 seat	9 seat
	Front Wheel Brake	盘式	盘式	盘式	盘式	盘式
	Rear wheel brake	鼓式	鼓式	鼓式	盘式	盘式
	Tire specifications	195R15C	195R15C	215/65R16	215/65R16	215/65R16
	Driver airbag	●	●	●	●	●
	Passenger airbag	×	×	●	●	●
	Safety belts for the second and third row	●	●	●	●	●
	Forth row	×	●	×	×	●
	Seatbelt warning and indicator light	●	●	●	●	●
	ISO FIX child seat fixture	●	●	●	●	●
	Central locking	●	●	●	●	●
	Middle door child safety lock	●	●	●	●	●
	Automatically unlock after collision	●	●	●	●	●
	Remote key	●	●	●	●	●
	Anti-lock Braking System	●	●	●	●	●
	Braking force distribution (EBD/CBC, etc.)	●	●	●	●	●
	Brake Assist (BA)	×	×	×	●	●
	Traction Control (ASR/TCS/TRC, etc.)	×	×	×	●	●
	Body stability control (ESP/DSC/VSC etc.)	×	×	×	●	●
	Hill-start assist control	×	×	×	●	●
Tire pressure monitoring	●	●	●	●	●	
Reversing radar	●	●	●	●	●	
Reverse image	×	○	●	○	○	
Lane Departure Warning	×	×	×	●	●	
Speed limiter (ECU speed limit is 100km/h)	×	×	×	●	●	
Vehicle Sound for Pedestrian (VSP)	●	●	●	●	●	
Maneuverability	Steering wheel material	3辐, PU	3辐, PU	3辐, PU	3辐, PU	3辐, PU
	Multi-functional steering wheel	×	○(Sound control)	●(Sound control)	●(Sound control, instrument control)	●(Sound control, instrument control)
Comfort	A/C control	电动	电动	电动	电动	电动
	Front and rear A/C	●	●	●	●	●
	Front window wiper	●	●	●	●	●
	Rear wiper/scrubber	×	○	●	○	○
Convenience	Heating line for rear windows	×	○	●	○	○
	One-click to raise/close the electric window	●	●	●	●	●
	Car window anti-trapping function	●	●	●	●	●
Light	Headlights delayed shut-off	●	●	●	●	●
	Daytime running light	●	●	●	●	●
	Headlights turn on automatically	●	●	●	●	●
	Adjustable headlight height	●	●	●	●	●
	Driving computer display screen	●	●	●	●	●
Multimedia	Central console LCD screen	×	○	●(8 inches)	○	○
	CarPlay	×	○	●	○	○
	Bluetooth system	×	○	●	○	○
	External audio source interface (AUX/USB/iPod etc.)	●	●	●	●	●
	Video display	×	○	●	○	○
	Number of speakers	4	4	6	4	4
Seat	Seat material	Weaving (new color)	Weaving (new color)	Faux Leather (New Color)	Weaving (new color)	Weaving (new color)
	Driver seat height adjustment	×	×	●	●	●
	Second row	1+1(short slide)	1+1(short slide)	1+1(独立座椅)	1+1(short slide)	people in row
	Second row seat armrest	×	×	●	×	×
	Second row seat rotation	×	×	●	×	×
	Second row seat sliding	●	●	●	●	×
	Second row seat back reclining	●	●	●	●	×
	Third row	5/5(能平躺)	1+1	5/5(能平躺)	3-people in row	people in row
	Third row seat back reclining	●	●	●	×	×
	Forth row	×	3-people in row	×	×	3人选择
	Fourth row seat back folds forward	×	●	×	×	●

Instruction: ●: set    ×: not set

Comprehensive cruising range		400km
Drive type		RR
Electromotor	motor type	Permanent magnet synchronous motor
	cooling type	Liquid cooling
	Peak power	90
	Rated power	45
	Maximum motor speed	10000
	peak torque	300
Engine type	electric-only	
Battery	Breaking energy recovery system	●
	Power battery material	lithium iron phosphate battery
	cooling type	Liquid cooling
	Battery guarantee	Regular version: 8 years or 160,000 kilometers; Operational version: 8 years or 800,000 kilometers
	Battery heating device	●
	Rated battery voltage	399
Charge	Battery capacity	67.5
	Car charger power	6.6KW
	Slow charging interface (AC)	●
	Fast charging interface (DC)	●
	Charging interface with lock	●
	National standard 220V AC vehicle charging gun (three to seven)	●
	Charging status indicator	●
	Slow charge charging: (max power from 5% to 100%)	About 13 h (charging power: 7kW)
Fast charging (SOC: 30%-80%, room temperature 25°C)	35min(charging power ≥ 90kw)	

### Advantages of M5 EV

Durability, multi-function business purpose vehicle



**Decent look**  
Business appearance  
Sporty flash grille  
Split type, hiding day time driving light



**Luxury interior**  
Soften leather interior  
Comfortable seat  
Quiet overhead air condition  
Intellect central display



**Large space**  
Long wheelbase  
Large seating space  
Various seat combination  
Large angle for rear door opening



**Efficiency & reliable**  
Large battery capacity  
EHB Intelligent braking system  
Battery 1P67 waterproof insulation  
Constant temperature battery pack management



## S50 SEDAN Spec

Item	1.59L/5MT	1.59L/CVT
<b>Dimension</b>		
Length*Width*Height(mm)	4700*1790*1526	4700*1790*1526
Wheelbase(mm)	2700	2700
Seats	5	5

<b>Engine</b>		
Engine brand:	Mitsubishi	Mitsubishi
Engine Type:	4A92	4A92
Displacement (L):	1.59	1.59
Rated power (kW):	90	90
Maximum Torque (N.m):	151	151
Fuel Form:	Gasoline / 92# or above	Gasoline / 92# or above
Tank volume (L):	45	45

<b>Transmission</b>		
Transmission type:	Manual	Automatic
No. of Gears:	5	x

<b>Chassis</b>		
Front suspension:	McPherson Independent Suspension Stabilizer Bar	McPherson Independent Suspension Stabilizer Bar
Rear Suspension:	Rear tow arm non-independent suspension	Rear tow arm non-independent suspension
Steering and driving device:	Electric Steering	Electric Steering
Front brake:	Disc	Disc
Rear brake:	Disc	Disc
Aluminum alloy wheels:	x	•
Tyre Spec:	205/55 R16	205/55 R16



Meteorite Black



Pearl White



Bright Moon Grey

Item	1.59L/5MT	1.59L/CVT
<b>Safety equipment</b>		
Driver's seat airbag:	•	•
Front passenger seat airbag:	•	•
Front seat belt:	•	•
Second row seat belts:	•	•
Driver seat belt unfastened alarm:	•	•
Front passenger seat belt unfastened alarm:	•	•
Front Seat Belt Height Regulator:	•	•
Central Locking:	•	•
ISO FIX child seat retainer:	•	•
ABS:	•	•
ESP:	•	•
BA emergency braking assist function:	•	•
Traction control (ASR/TCS/TRC, etc.):	•	•
Hill assist:	•	•
Reversing radar:	•	•
Reversing image (with track follow-up function):	•	•

<b>Controlling equipment</b>		
Steering wheel material:	PU	Leather
Multi-function steering wheel:	•	•
Cruise control:	•	•

<b>Convenience equipment</b>		
Front Power Windows:	•	•
Rear Power Windows:	•	•

<b>Comfort equipment</b>		
Electric sunroof:	x	•
One Touch Start System:	x	•

<b>Multimedia</b>		
Central Display:	• ( 8 inches)	• ( 8 inches)

<b>Seat</b>		
Seat Material:	Fabric (black)	imitation leather
Headrests:	•	•